

A1 INSTALLATION DRAWING

IF THIS DOCUMENT IS PRINTED IN HARDCOPY, IT IS FOR INFORMATION USE ONLY AND THEREFORE IS NOT SUBJECT TO UPDATING CONTROLS. ALWAYS REFER TO SOLIDWORKS VIEWER FOR LATEST ISSUE



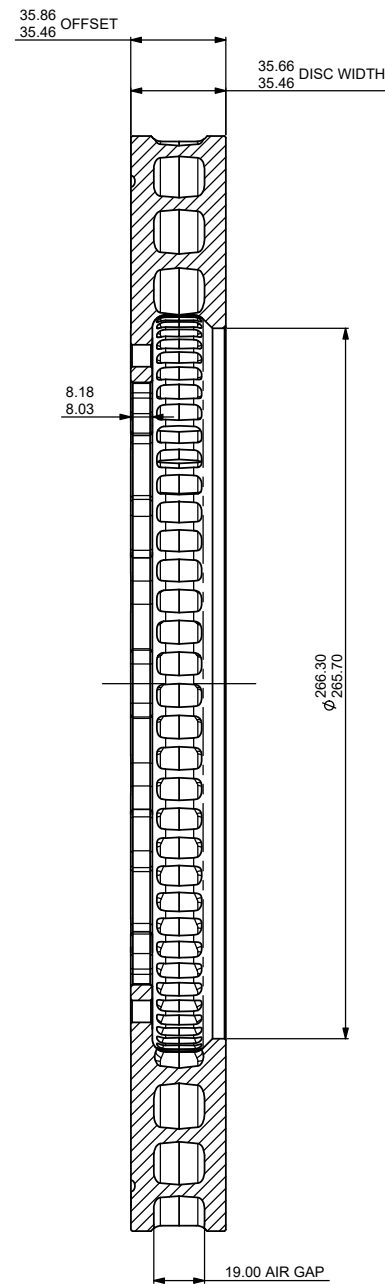
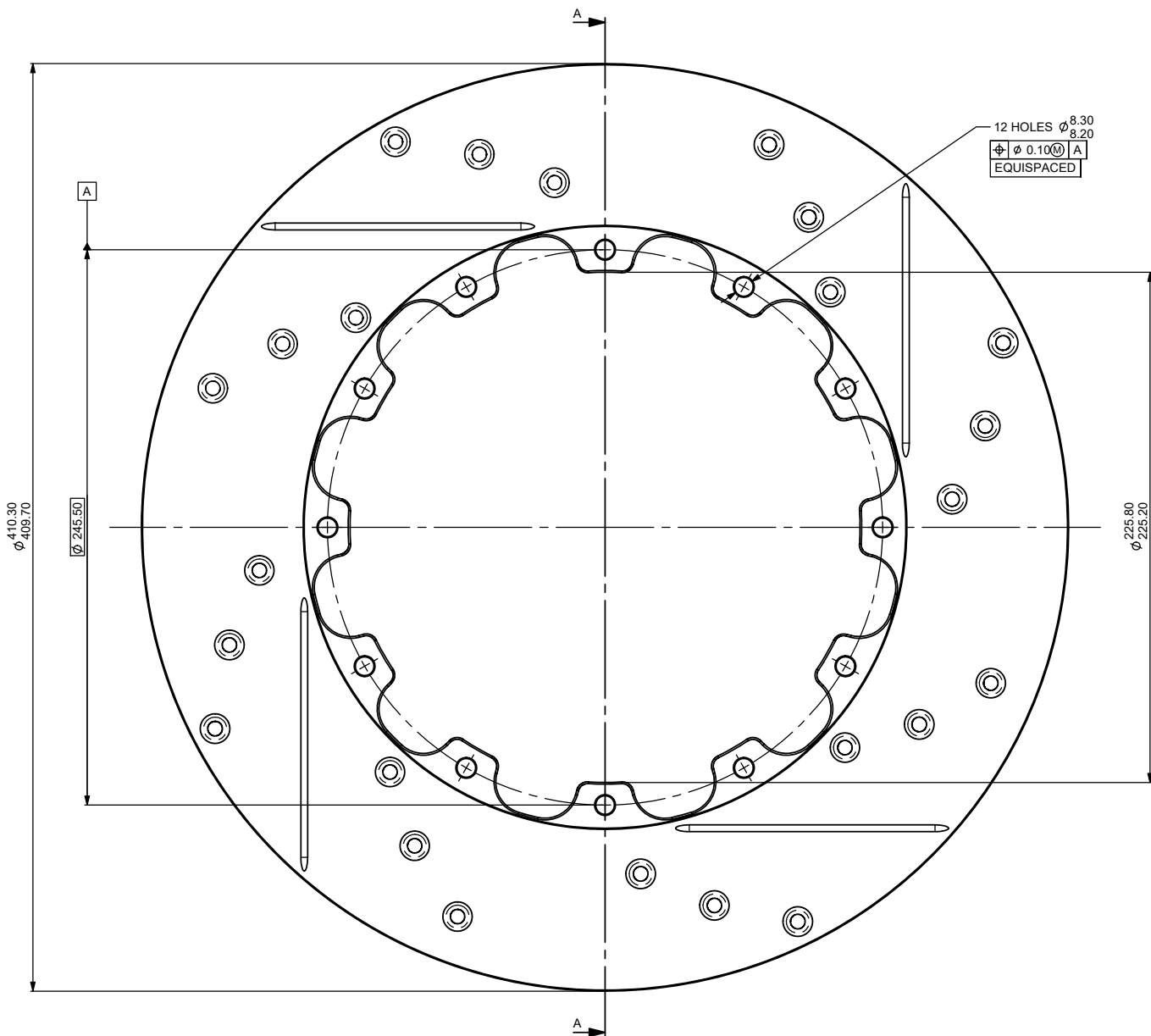
THIS DRAWING IS CONFIDENTIAL AND IS SUPPLIED ON THE EXPRESS CONDITION THAT IT SHALL NOT BE LOANED OR COPIED OR DISCLOSED TO ANY OTHER PERSON OR USED FOR ANY OTHER PURPOSE WITHOUT THE WRITTEN CONSENT OF AP RACING LTD.



AP Racing
Wheler Road
Coventry
CV3 4LB

Tel: +44 (0) 24 7663 9595
Fax: +44 (0) 24 7663 9550
e-mail: engineering@apracings.com
Web site: <http://www.apracings.com>

© AP Racing Ltd. 2005



CP4095-102GD:STL RH DISC (DRAWN)
CP4095-103GD:STL LH

ELVD NOTE
MATERIAL AND COATINGS COMPLY WITH E.U. DIRECTIVE 2000/53/EC.

Issue No.	Alterations		Zone	Initials
	Date & No.	Particulars		
1	06/06/08 R2658	FIRST ISSUE		GD

SCALE 1:1		SHEET 1 OF 1	
DRAWN	GREG DOLMAN		
APPROVED			
DERIVED FROM			
TITLE			
Ø410 x 35.56 DISC INSTALLATION DRAWING			
DRG NO.	CP4095-2CD		